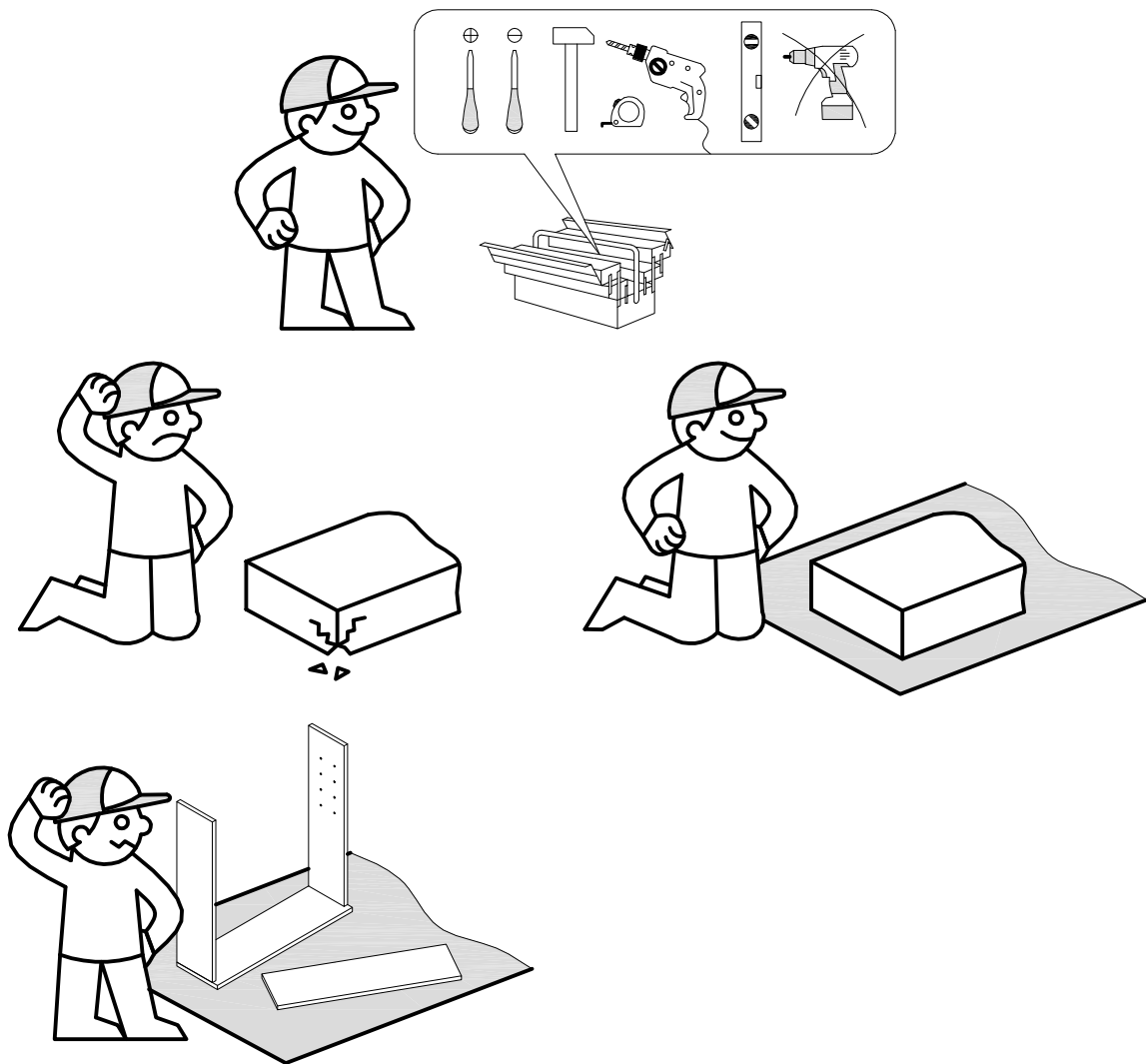


**Кабинет руководителя**  
**Everprof Апекс**

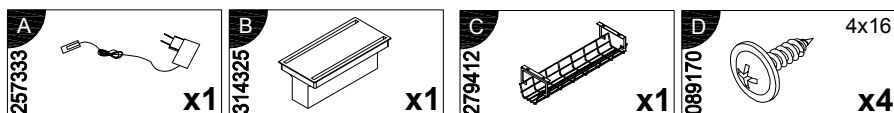
**152S0013**  
**152S0003**

**152S0103**





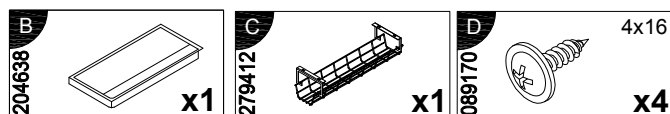
## 152S0003



## 152S0103



## 152S0013



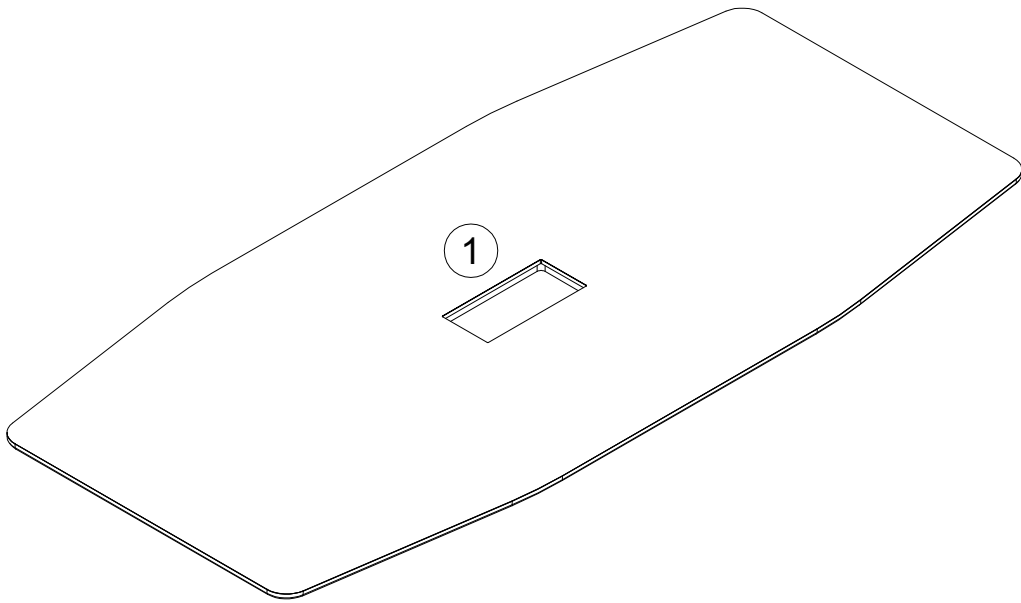
### 152S0003/152S0013

N	LxBxH (mm)	Qty	✓
1	2300x1080x30	1	

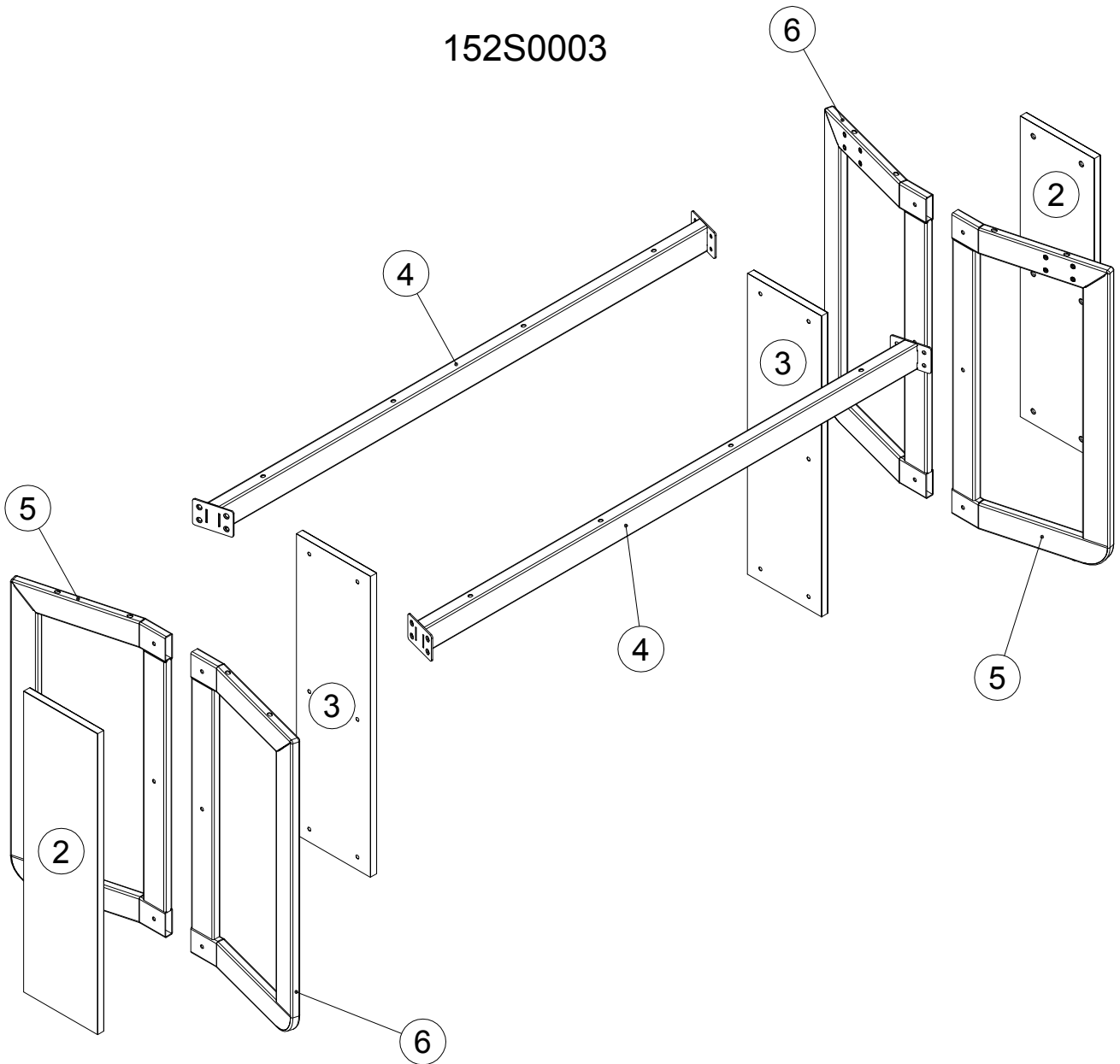
### 152S0103

N	LxBxH (mm)	Qty	✓
2	704x200x17	2	
3	704x200x17	2	
4	1352x87x60	2	
5	704x358x38	2	
6	704x358x38	2	

152S0003

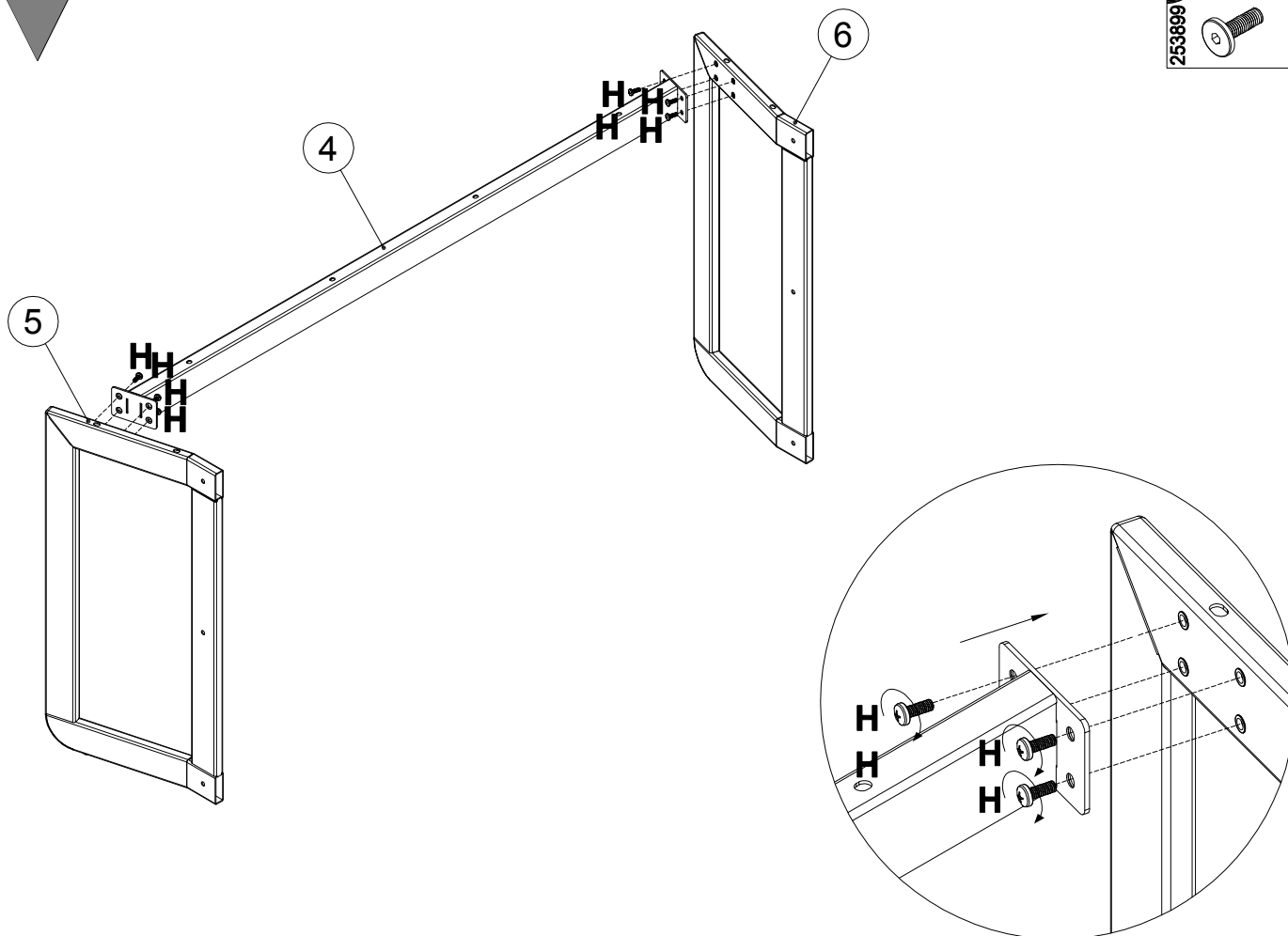


152S0003



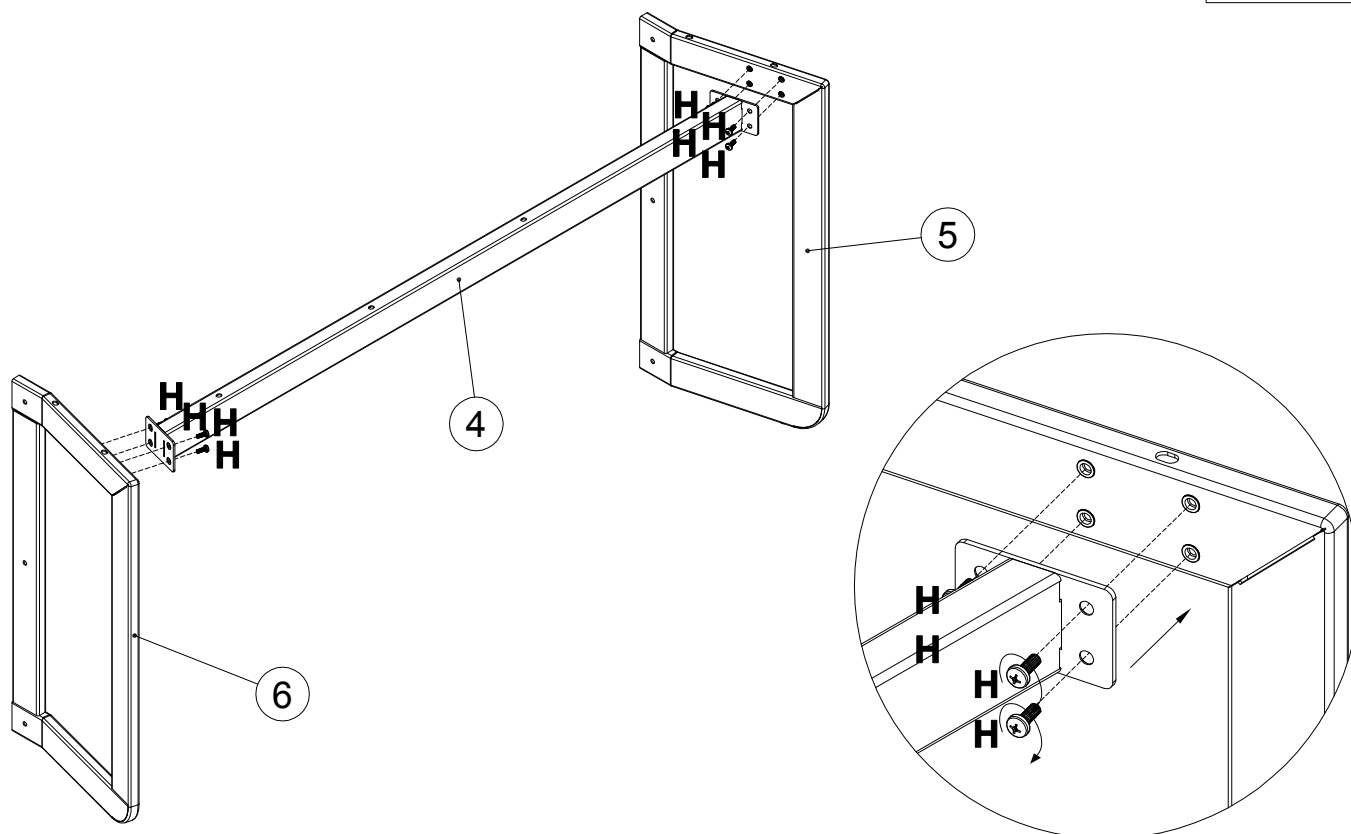
1

253899 M6x12 x8



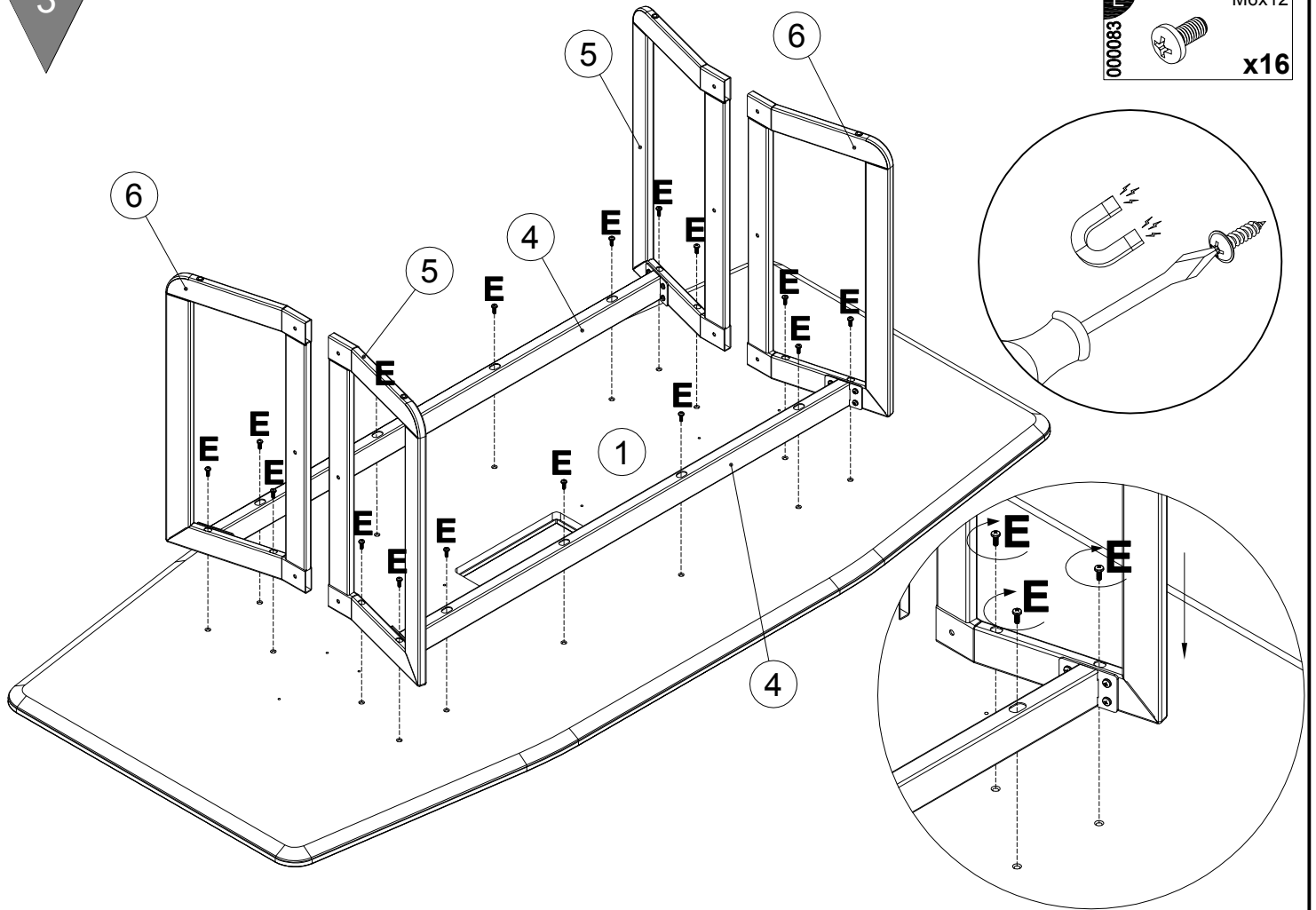
2

253899 M6x12 x8



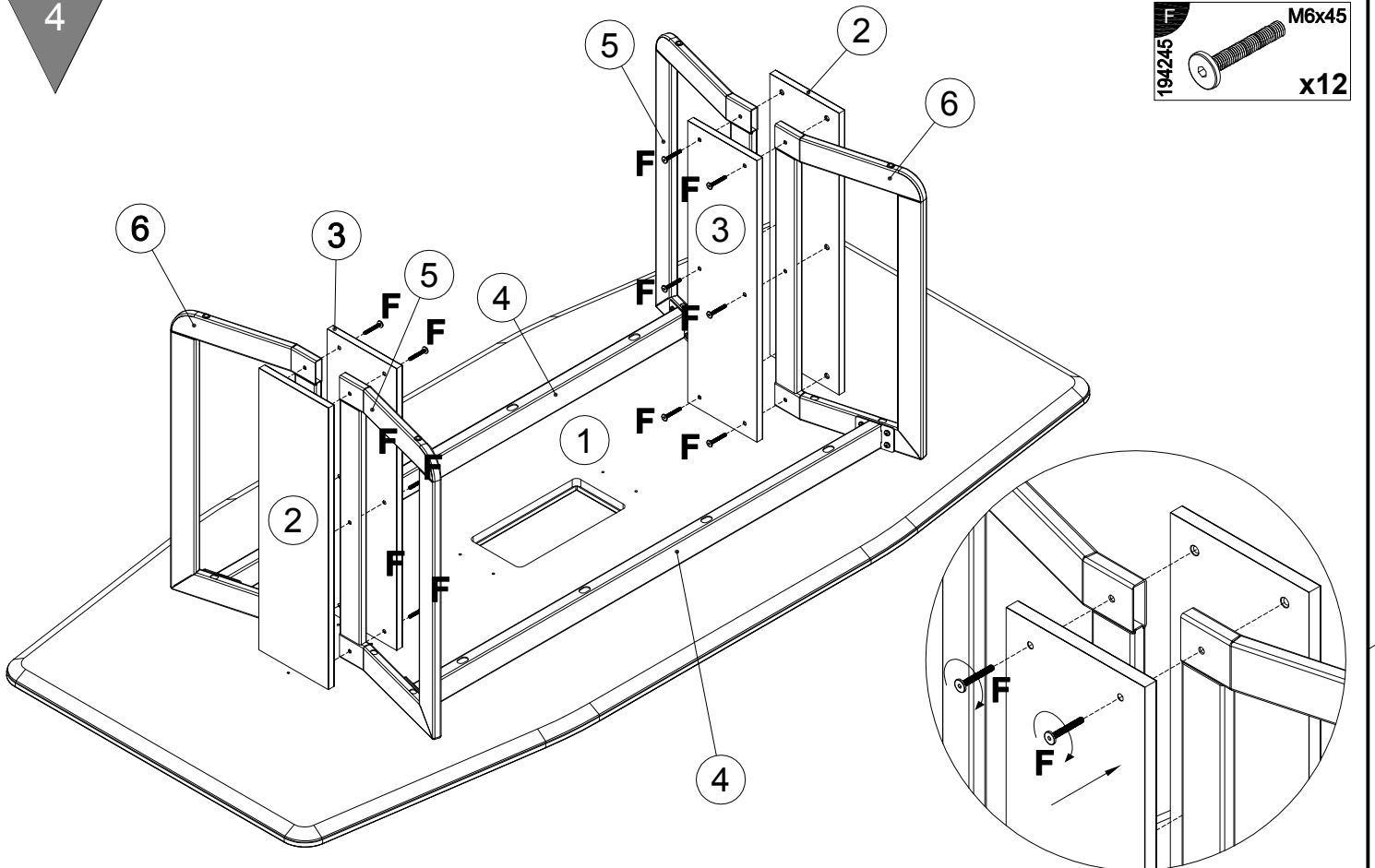
3

000083 M6x12 x16



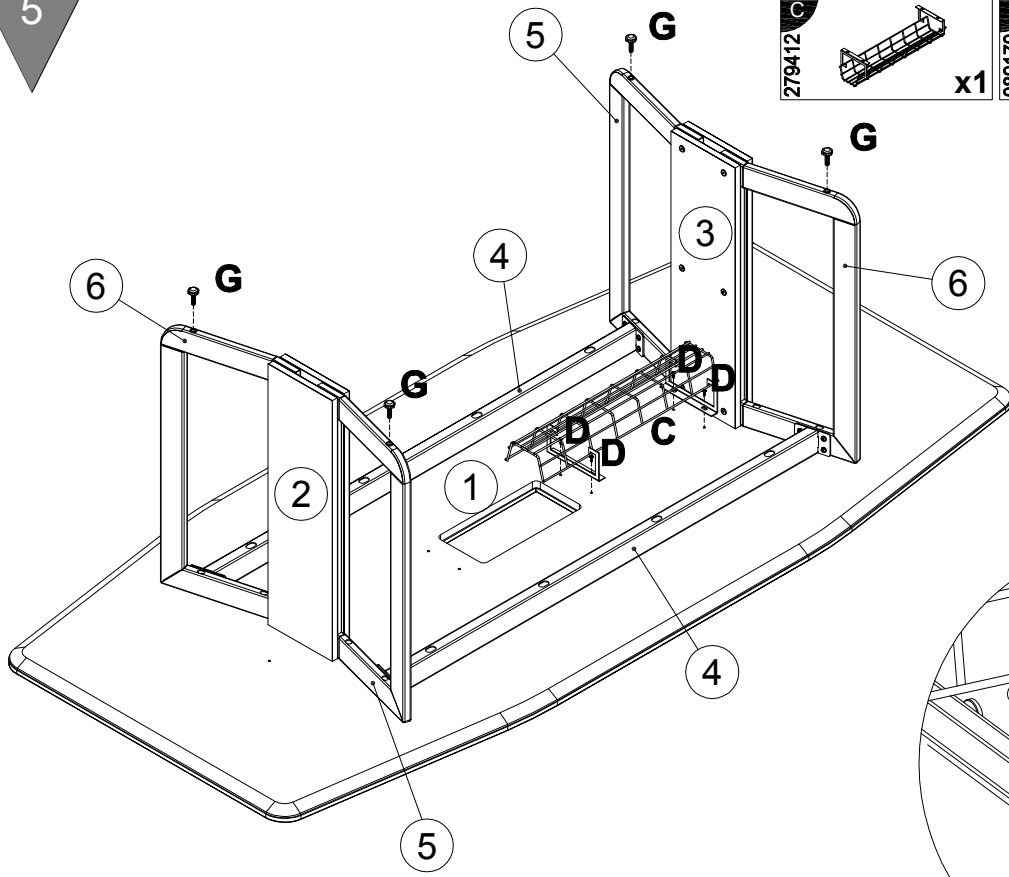
4

194245 M6x45 x12



5

- |                          |                          |      |                          |    |
|--------------------------|--------------------------|------|--------------------------|----|
| <b>G</b><br>279412<br>x1 | <b>D</b><br>089170<br>x4 | 4x16 | <b>G</b><br>000131<br>x4 | M8 |
|--------------------------|--------------------------|------|--------------------------|----|



6

152S003

- |                          |                          |
|--------------------------|--------------------------|
| <b>A</b><br>257333<br>x1 | <b>B</b><br>314325<br>x1 |
| <b>B</b><br>204638<br>x1 |                          |

152S013

